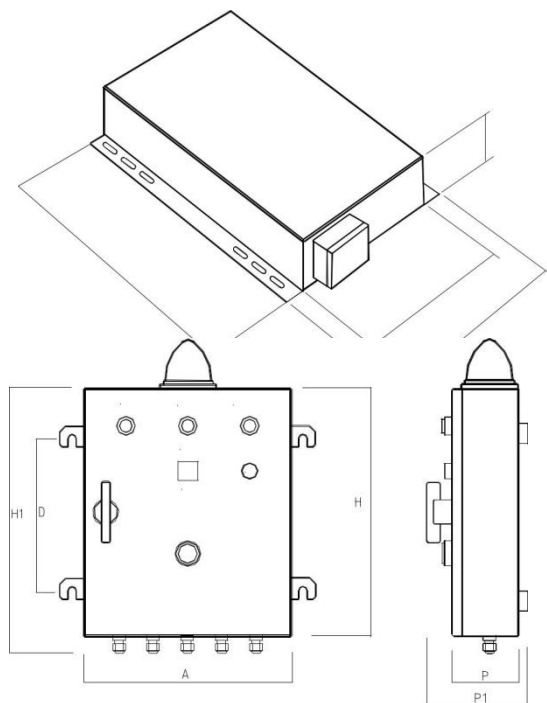


METAL DETECTOR

Made in Spain which are very best in terms of quality, accuracy, reliability & cost.

Metal detectors available for the belt width ranging from 500mm to 1400mm.

Industrial metal detectors play a vital role in eliminating tramp metal and protecting downstream equipment.



TYPE	L	A	AT	H	WEIGHT
ER-500	500	400	460	80	11
ER-600	600	400	460	80	12
ER-800	800	400	460	120	18
ER-1000	1000	400	460	120	21
ER-1200	1200	400	460	120	34
ER-1400	1500	400	460	120	39

METAL DETECTOR

Made in UK which are very best in terms of quality, accuracy, reliability & cost.

Metal detectors available for the belt width ranging from 500mm to 1400mm.

Industrial metal detectors play a vital role in eliminating tramp metal and protecting downstream equipment.



- Detection of tramp iron and manganese steel.
- Overlooks non magnet Copper alloy belt fasteners.
- Split construction for Easy Installation.

